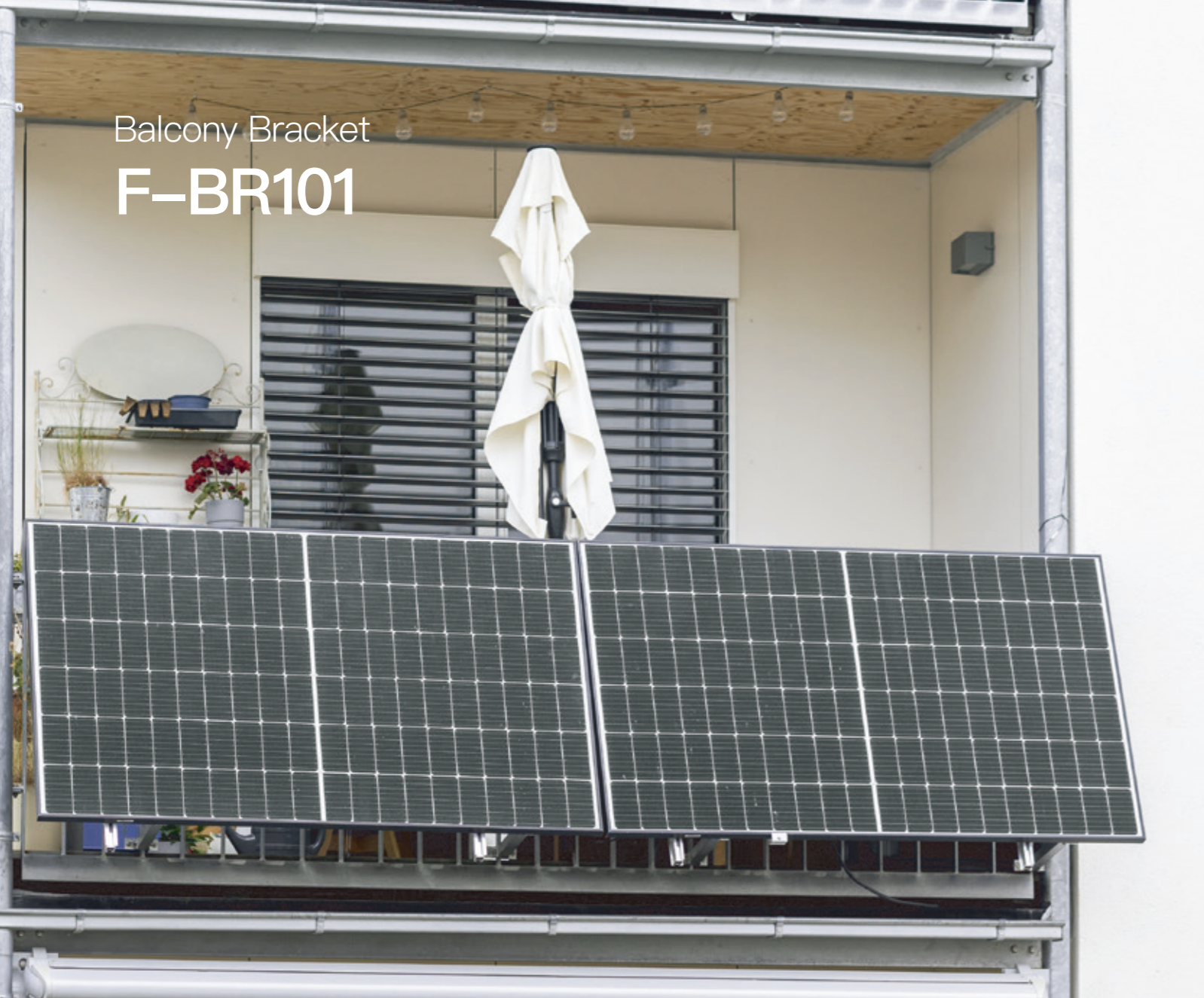


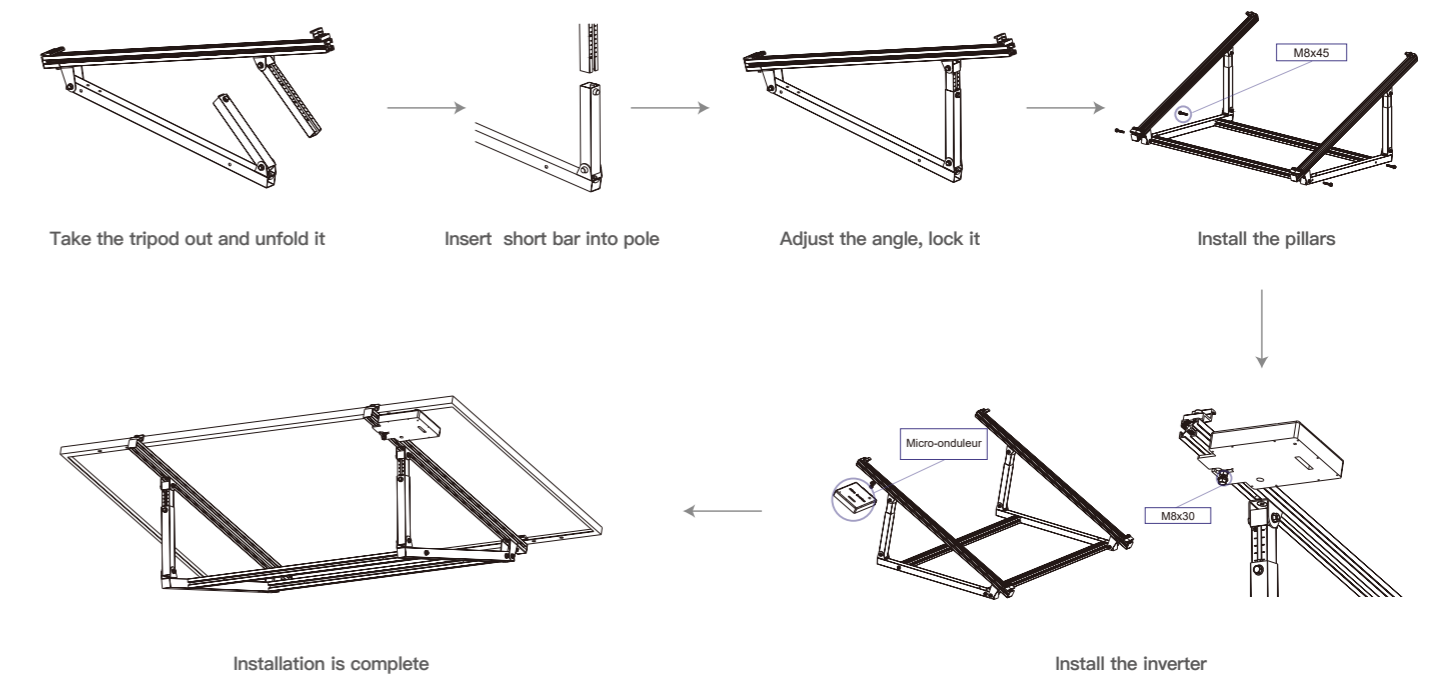
Balcony Bracket F-BR101






Technical Data

Specification	F-BR101
Module L	≤2200mm T=30/35mm
Module W	A≤1180mm
Adjustable angle	20-35°
Material	Aluminum
Balcony default solution	Includes hook rubber mat (affixed) Cover rubber pad (individually packaged) End cap included (individually packaged)
Packing details	
Dimensions	1280*330*70mm
Weight	GW:9kg/ set
Package Parameter	75 sets/pallet, 675 sets/20GP 90 sets/pallet, 1710 sets/40HQ

Installation Instruction



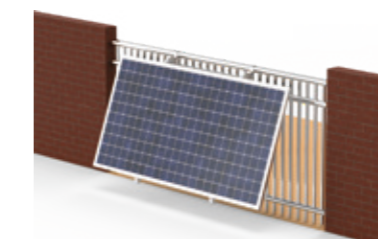
Features

-  Adjustable angle
-  CE+TUV testing report
-  Suitable for all scenarios

Usage Scenario



Courtyard



Balcony



Wall